

Product Code SMC-FM-RW-ST-20	Nominal Dimensions 48" x 4.5" x 4"
---	--

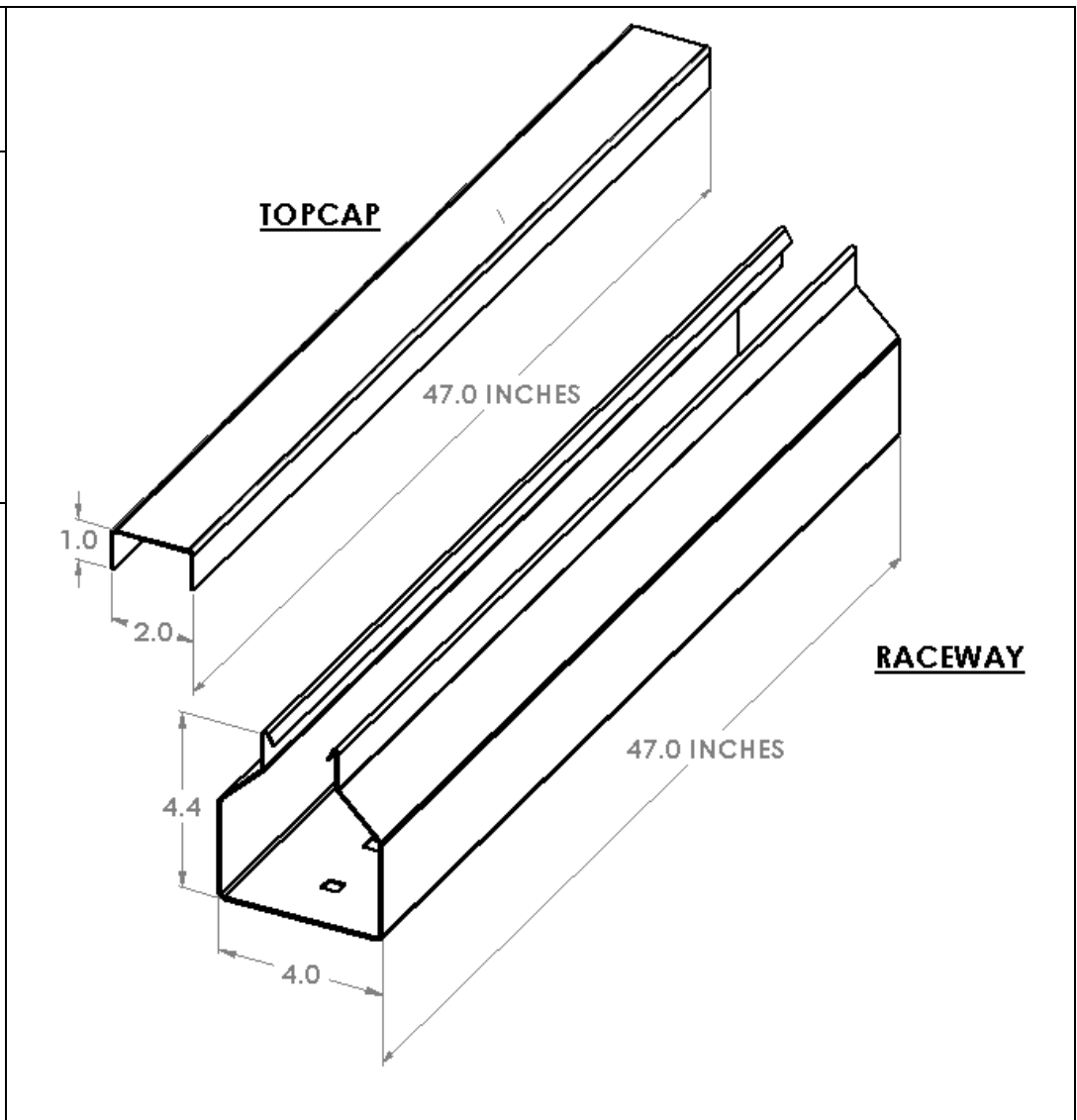
Description

The floor-mounted Secure Medium Carrier provides an option for securing networks within raised floor applications. Secure Medium Carrier is constructed from 16-gauge electro-galvanized steel and consists of two components: Raceway and TopCap. Secure Medium Carrier provides a large cable capacity and redundant TopCap locking abilities similar to the Secure Large Carrier product line. There are two welded tabs on the underneath side of the TopCap, providing a surface to attach a fiber optic cable when this Raceway is used in an alarmed monitoring installation scenario.

Specifications

- 16-gauge electro-galvanized steel
- Components:
 - Raceway: Length 47" x Height 4.4" x Width 4"
 - TopCap: Length 47" x Height 1" x Width 2"
- Max 167 CAT 6 STP cable capacity (.28" diameter)
- Four manufactured mounting points 3.5" and 1.5" from each raceway end
- Supplied in 4' sections in a 20' kit
- Total kit weight: 77 pounds

Powder Coat Finish: White Textured



HOLOCOM, INC.
customerservice@holocom.com
www.holocom.com

PRODUCT CODE:
SMC-FM-RW-ST-20

TITLE:
 SECURE MEDIUM CARRIER
 RACEWAY & TOPCAP KIT

All material contained in this document is the property of Holocom, Inc. and may not be reproduced or transmitted (including electronically) without the written consent of Holocom, Inc. Holocom and the Holocom logo are registered trademarks of Holocom, Inc. Other noted marks are trademarks of their respective companies. Holocom products protected by US Pats. 8,733,798; 7,661,375; 7,608,780; 7,183,488; 7,115,814; 7,053,303; 7,049,517; 6,838,616; 5,831,211; 632,763; 619,097; 580,871 and patents pending.
 Made in the U.S.A. Copyright © 2015 Holocom, Inc. All rights reserved.